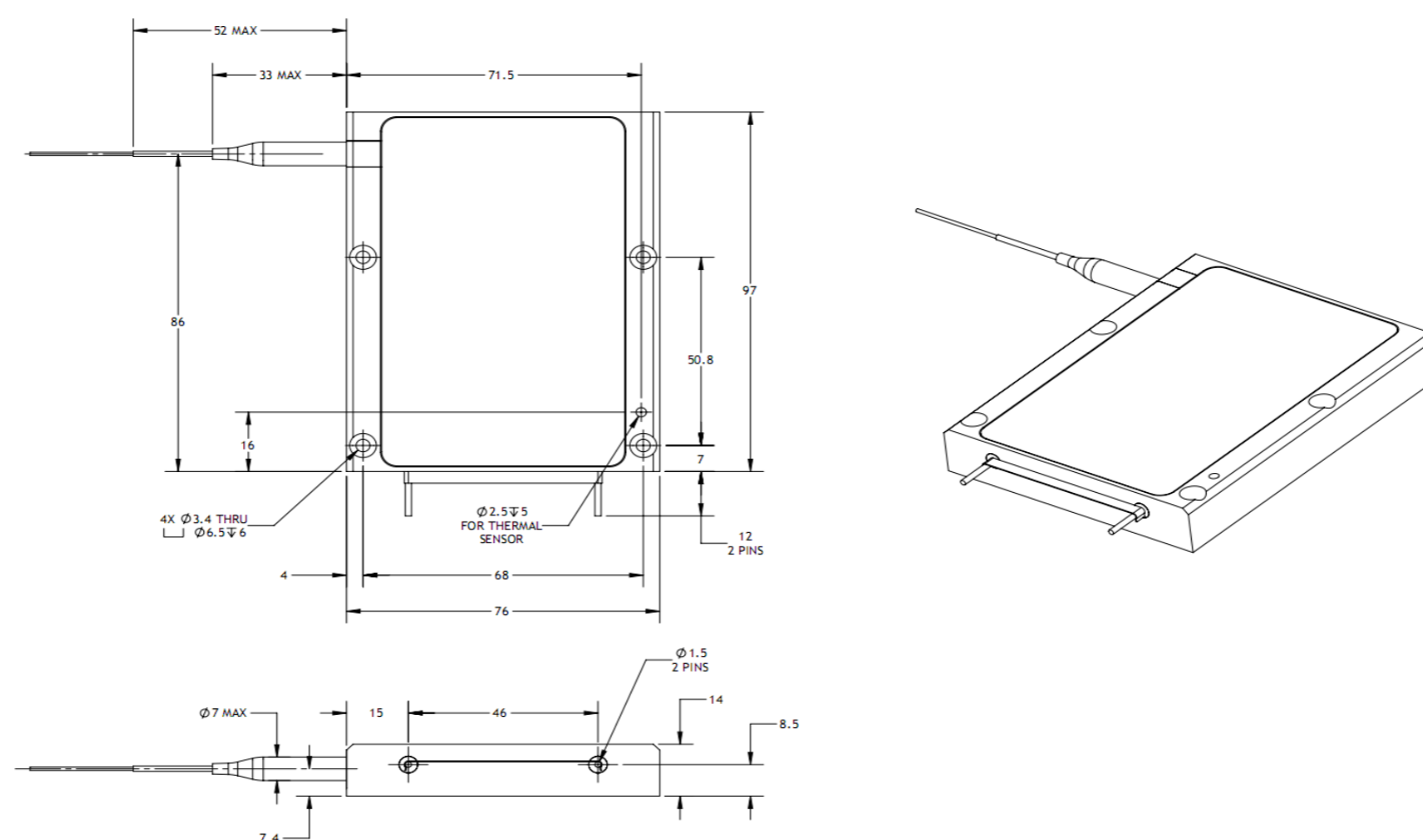


Item Description Model **e18-18-190-0885-3-200-0.22-SI-SMA-1.5-KL**  
**e18.1900885200**

ECCN: EAR99<sup>4</sup>

|  | Units   | Lower Spec | Typical              | Upper Spec |
|--|---------|------------|----------------------|------------|
| <b>Optical</b>                                 |         |            |                      |            |
| CW Output Power                                | W       | 190        | 190                  |            |
| Wavelength Centroid                            | nm      | 882.0      | 885.0                | 888.0      |
| Spectral Width (FWHM)                          | nm      |            | 2.6                  | 3.5        |
| NA within 95% Power Enclosure                  | -       |            | 0.16                 |            |
| Fiber Core / Clad Diameter                     | µm      |            | 200 / 220            |            |
| Fiber NA / Index Type                          | -       |            | 0.22 NA / Step Index |            |
| Back Reflection Isolation 1060 - 1200nm        | dB      | 15         |                      |            |
| <b>Electrical</b>                              |         |            |                      |            |
| Electrical-to-Optical Efficiency               | %       |            | 48                   |            |
| Threshold Current                              | A       |            | 1.8                  |            |
| Operating Current                              | A       |            | 13.0                 | 14.5       |
| Operating Voltage                              | V       |            | 30.6                 | 31.1       |
| <b>Mechanical</b>                              |         |            |                      |            |
| Mass   | g       |            | 510                  |            |
| Fiber Length                                   | m       | 1.4        | 1.5                  | 1.6        |
| Active Fiber Bend Radius                       | mm      | 35         |                      |            |
| Fiber Jacketing                                | -       |            | 3 mm Kevlar Tubing   |            |
| Fiber Termination                              | -       |            | SMA                  |            |
| <b>Thermal</b>                                 |         |            |                      |            |
| Waste Heat                                     | W       |            | 208                  |            |
| Operating (Housing) Temperature <sup>2,3</sup> | °C      |            | +30                  |            |
| Wavelength Temperature Coefficient             | nm / °C |            | 0.31                 |            |
| Wavelength Current Coefficient                 | nm / A  |            | 0.65                 |            |

**Outline Drawing (Package Dimension 97 x 76 x 14 mm)**



**Notes**

- <sup>1</sup> Production specification shown are for beginning of life performance. End of life operating current (Iop) is 110% beginning of life Iop.
- <sup>2</sup> A non-condensing environment is required for operation and storage. Storage conditions are from -20 to +70 °C with relative humidity between 5 to 85 %.
- <sup>3</sup> Operating temperature defined by the package housing.
- <sup>4</sup> Export Control Classification Number (ECCN) as defined by the Export Administration Regulations (EAR).



nLight Corporation  
 5408 NE 88th Street, Bldg E  
 Vancouver, Washington 98665  
 United States of America  
 Phone: 866.202.4488  
 360.566.4460

This product is not certified in accordance with IEC 60825-1 or 21CFR1040.10/21CFR1040.11 and is solely intended to be integrated into a laser product certified by the Purchaser. The Purchaser acknowledges that their product (incorporating the nLIGHT laser product) must comply with the applicable regulations before it can be sold.



**Notice**  
 nLIGHT continually improves its products to provide customers with outstanding quality and reliability, therefore may change certain specifications and product descriptions at any time, without notice. Additionally, nLIGHT offers a limited warranty to ensure customer satisfaction. For complete details, please contact an nLIGHT sales representative.