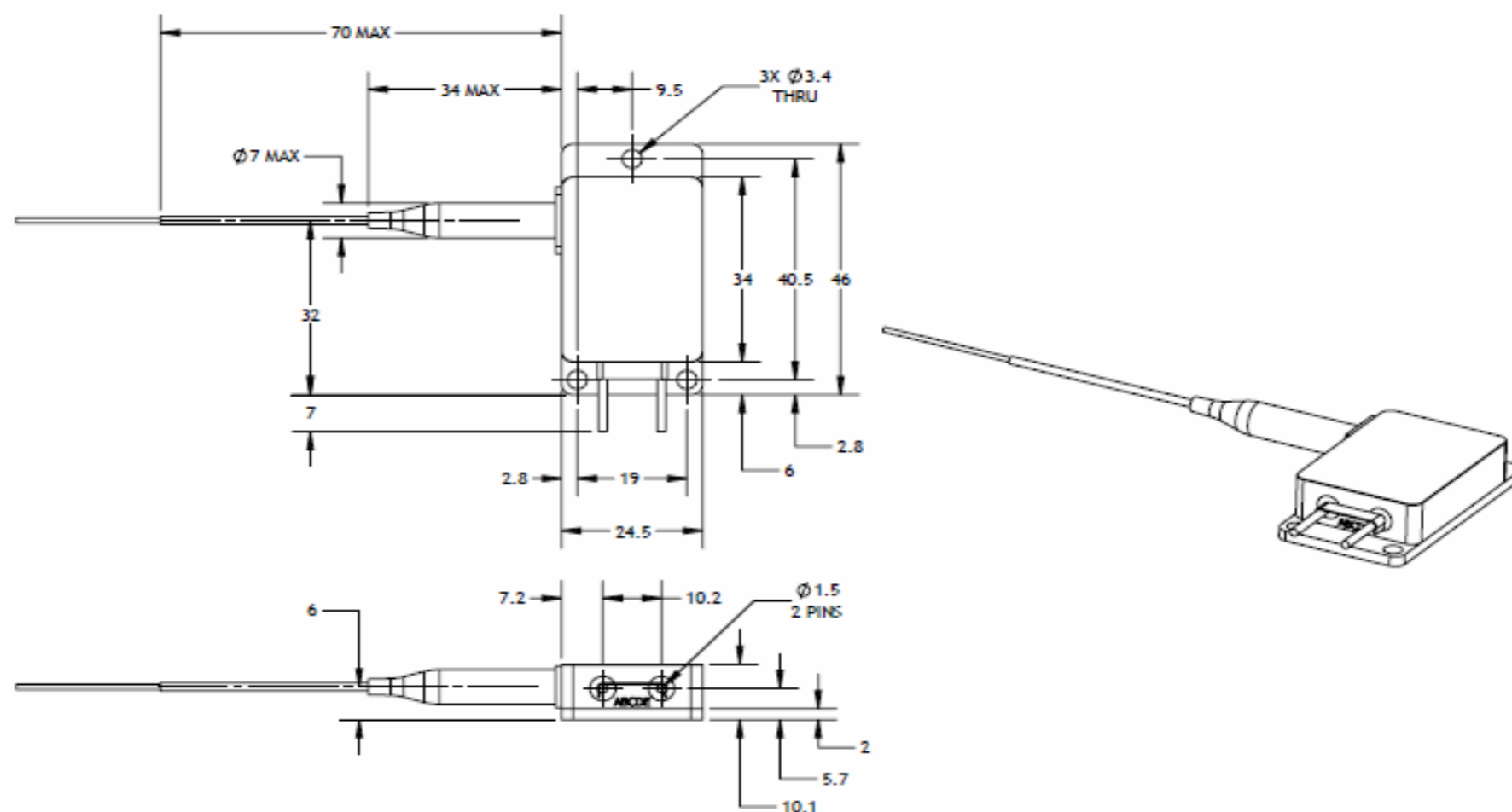


Item Description e03-03-025-0793-3-200-0.22-SI-FPT-2.0-HT  
 Model e03.0250793200

ECCN: EAR99<sup>4</sup>

	Units	Lower Spec	Typical	Upper Spec
<b>Optical</b>				
CW Output Power (in fiber)	W		25	
CW Output Power (as measured)	W	21	24	
Wavelength Centroid	nm	790.0	793.0	796.0
Spectral Width (FWHM)	nm		1.8	4.0
NA within 95% Power Enclosure	-		0.13	
Fiber Core / Clad Diameter	µm		200 / 220	
Fiber NA / Index Type	-		0.22 NA / Step Index	
Back Reflection Isolation 1850 - 2100nm	dB	15		
<b>Electrical</b>				
Electrical-to-Optical Efficiency	%		47	
Threshold Current	A		2.0	
Operating Current	A		10.0	10.0
Operating Voltage	V		5.3	6.0
<b>Mechanical</b>				
Mass	g		60	
Fiber Length	m	1.5	2.0	
Active Fiber Bend Radius	mm	35		
Fiber Jacketing	-		900 um Hytel Loose Tube Buffer	
Fiber Termination	-		FPT	
<b>Thermal</b>				
Waste Heat	W		28	
Operating (Housing) Temperature <sup>2,3</sup>	°C		+30	
Wavelength Temperature Coefficient	nm / °C		0.28	
Wavelength Current Coefficient	nm / A		0.7	

**Outline Drawing (Package Dimension 46 x 24.5 x 10.1 mm)**



**Notes**

- <sup>1</sup> Production specification shown are for beginning of life performance. End of life operating current (Iop) is 110% beginning of life Iop.
- <sup>2</sup> A non-condensing environment is required for operation and storage. Storage conditions are from -20 to +70 °C with relative humidity between 5 to 85 %.
- <sup>3</sup> Operating temperature defined by the package housing.
- <sup>4</sup> Export Control Classification Number (ECCN) as defined by the Export Administration Regulations (EAR).



nLight Corporation  
 5408 NE 88th Street, Bldg E  
 Vancouver, Washington  
 98665  
 United States of America  
 Phone: 866.202.4488  
 360.566.4460

This product is not certified in accordance with IEC 60825-1 or 21CFR1040.10/21CFR1040.11 and is solely intended to be integrated into a laser product certified by the Purchaser. The Purchaser acknowledges that their product (incorporating the nLIGHT laser product) must comply with the applicable regulations before it can be sold.



**Notice**  
 nLIGHT continually improves its products to provide customers with outstanding quality and reliability, therefore may change certain specifications and product descriptions at any time, without notice. Additionally, nLIGHT offers a limited warranty to ensure customer satisfaction. For complete details, please contact an nLIGHT sales representative.