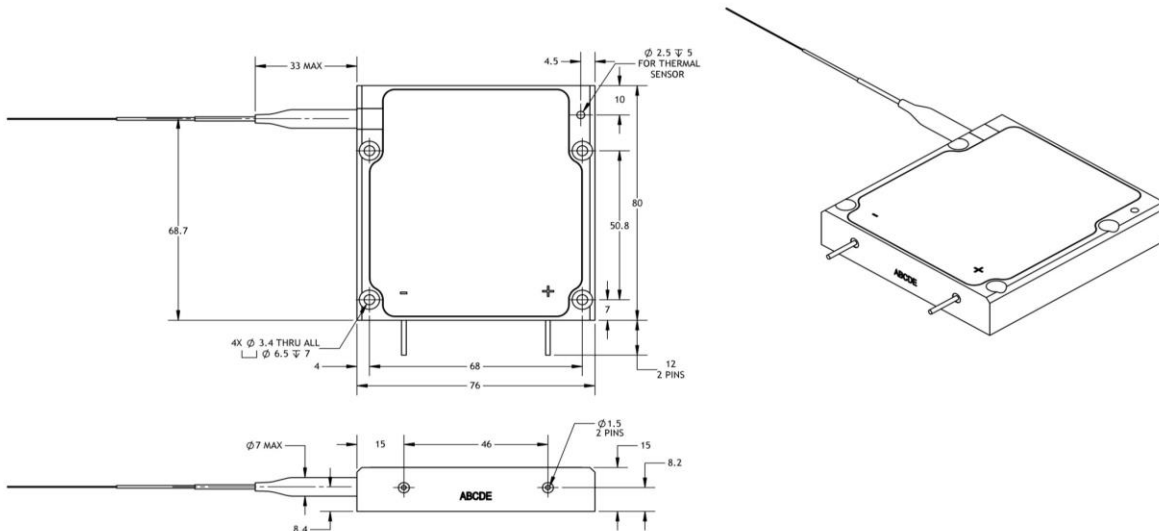


Item Number **1072944**  
 Item Description **e12-12-115-0878.6-1-200-0.22-SI-SMA-1.5-KL-VBG**  
 Model **e12.1150879200**

ECCN: 6A005.d.1.b.1 <sup>4</sup>

|  | Units   | Lower Spec | Typical                             | Upper Spec |
|--|---------|------------|-------------------------------------|------------|
| <b>Optical</b>                                       |         |            |                                     |            |
| CW Output Power                                      | W       | 115        | 115                                 |            |
| Wavelength Peak                                      | nm      | 877.6      | 878.6                               | 879.6      |
| Spectral Width (FWHM)                                | nm      |            | 0.3                                 | 1.0        |
| Power within 0.19 NA                                 | %       |            | 95                                  |            |
| Fiber Core / Clad Diameter                           | µm      |            | 200 / 220                           |            |
| Fiber NA / Index Type                                | -       |            | 0.22 NA / Step Index                |            |
| <b>Electrical</b>                                    |         |            |                                     |            |
| Electrical-to-Optical Efficiency                     | %       |            | 44                                  |            |
| Threshold Current                                    | A       |            | 1.8                                 |            |
| Operating Current                                    | A       |            | 12.9                                | 14.5       |
| Operating Voltage                                    | V       |            | 20.5                                | 21.5       |
| Wavelength Stabilized Operating Current <sup>5</sup> | A       | 7.0        |                                     | 17.0       |
| <b>Mechanical</b>                                    |         |            |                                     |            |
| Mass   | g       |            | 440                                 |            |
| Fiber Length   | m       | 1.4        | 1.5                                 | 1.6        |
| Active Fiber Bend Radius                             | mm      | 35         |                                     |            |
| Fiber Jacketing                                      | -       |            | 3 mm Kevlar Strand Furcation Tubing |            |
| Fiber Termination                                    | -       |            | SMA                                 |            |
| <b>Thermal</b>                                       |         |            |                                     |            |
| Thermal Resistance                                   | °C / W  |            | 0.1                                 |            |
| Waste Heat   | W       |            | 149                                 |            |
| Operating (Housing) Temperature <sup>2,3</sup>       | °C      |            | +30                                 |            |
| Wavelength Temperature Coefficient                   | nm / °C |            | 0.01                                |            |

### Outline Drawing (Package Dimension 80 x 76 x 15 mm)



### Notes

- 1 Production specification shown are for beginning of life performance. End of life operating current (Iop) is 120% beginning of life Iop.
- 2 A non-condensing environment is required for operation and storage. Storage conditions are from -20 to +70 °C with relative humidity between 5 to 85 %.
- 3 Operating temperature defined by the package housing. Acceptable operating range is 20 - 35C, but performance may vary.
- 4 Export Control Classification Number (ECCN) as defined by the Export Administration Regulations (EAR)
- 5 Wavelength stabilized to >90 % power in band of 877.1 nm to 880.1 nm

This product is not certified in accordance with IEC 60825-1 or 21CFR1040.10/21CFR1040.11 and is solely intended to be integrated into a laser product certified by the Purchaser. The Purchaser acknowledges that their product (incorporating the nLIGHT laser product) must comply with the applicable regulations before it can be sold.



**Notice**  
 nLIGHT continually improves its products to provide customers with outstanding quality and reliability, therefore may change certain specifications and product descriptions at any time, without notice. Additionally, nLIGHT offers a limited warranty to ensure customer satisfaction. For complete details, please contact an nLIGHT sales representative.



nLight Corporation  
 5408 NE 88th Street, Bldg E  
 Vancouver, Washington 98665  
 United States of America  
 Phone: 866.202.4488  
 360.566.4460  
 Fax: 360.546.1960  
 e-mail: sales@nlight.net  
 web: www.nlight.net