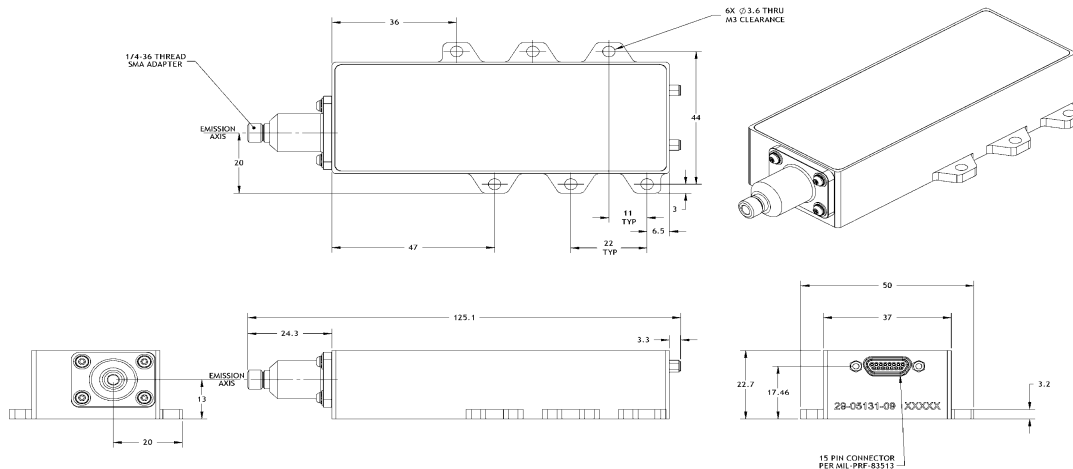


Item Number
Item Description **980nm 200um Fiber-coupled Module**

Pilot Production Phase ²
ECCN: EAR99 ³

| | Units | Lower Spec | Typical | Upper Spec |
|---|---------|------------|----------------------------|------------|
| Optical | | | | |
| CW Output Power | W | | 130 | |
| Centroid Wavelength | nm | 977 | 980 | 983 |
| Spectral Width (FWHM) | nm | | | 4.5 |
| Slope Efficiency | W / A | | 13.9 | |
| Beam Divergence from Fiber (90% PE) | NA | | 0.17 | 0.20 |
| Fiber Core / Clad Diameter | µm | | 200 / 220 | |
| Fiber NA / Index Type | - | | 0.22 / PowerCore™ | |
| Electrical | | | | |
| Electrical-to-Optical Efficiency | % | 47 | 52 | |
| Threshold Current | A | | 0.5 | |
| Operating Current | A | | 9.9 | 11.1 |
| Operating Voltage | V | | 25.5 | 28.1 |
| Series Resistance | Ω | | 0.4 | |
| Mechanical | | | | |
| Mass ⁷ | g | | 190 | |
| Fiber Length | m | 1.9 | 2.0 | 2.1 |
| Fiber Bend Radius (Active / Storage) | mm | | 30 / 25 | |
| Fiber Jacketing | - | | Stainless Steel Squarelock | |
| Fiber Termination | - | | SMA | |
| Thermal | | | | |
| Thermal Resistance ⁴ | °C / W | | 0.21 | |
| Waste Heat | W | | 121 | |
| Operating Housing Temperature ⁶ | °C | | +25 | |
| Wavelength Temperature Coefficient ⁵ | nm / °C | | 0.35 | |

Outline Drawing



Notes

- ¹Production specifications shown are for beginning of life performance, end of life operating current (lop) is 120% beginning of life lop
- ²Current phase within nLIGHT's NPI (New Production Introduction) process
- ³Export Control Classification Number (ECCN) as defined by the Export Administration Regulations (EAR)
- ⁴Thermal resistance is the diode junction temperature shift per incremental Watt of heat load
- ⁵The wavelength temperature coefficient is the wavelength shift per °C change at the diode junction
- ⁶Operating temperature defined by the package housing. Acceptable operating range is 20 - 35C, but performance may vary
- ⁷Does not include mass of fiber

This product is not certified in accordance with IEC 60825-1 or 21CFR1040.10/21CFR1040.11 and is solely intended to be integrated into a laser product certified by the Purchaser. The Purchaser acknowledges that their product (incorporating the nLIGHT laser product) must comply with the applicable regulations before it can be sold.



Notice
nLIGHT continually improves its products to provide customers with outstanding quality and reliability, therefore may change certain specifications and product descriptions at any time, without notice. Additionally, nLIGHT offers a limited warranty to ensure customer satisfaction. For complete details, please contact an nLIGHT sales representative.



nLight Corporation
5408 NE 88th Street, Bldg E
Vancouver, Washington 98665
United States of America
Phone: 866.202.4488
360.566.4460
Fax: 360.546.1960
e-mail: sales@nlight.net
Web: www.nlight.net